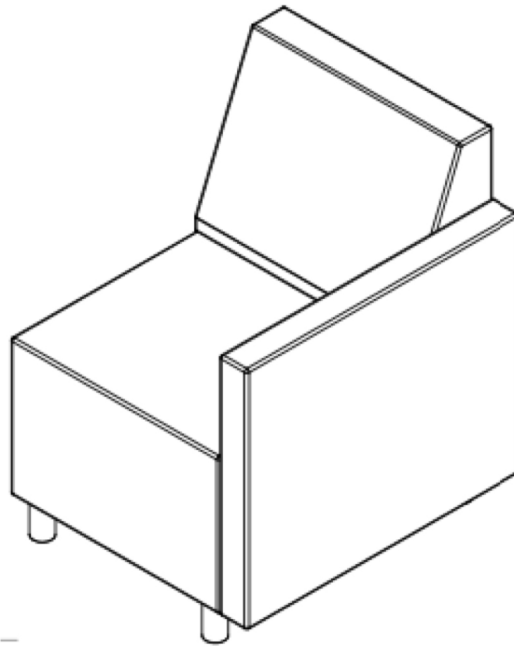


# Access Soft Seating

210x with Left Arm



## Overview

Frame Construction:  
3/4" CDX Grade Engineered Frames  
Hardwood Blocks  
Glued and Mechanically fastened frames

Suspensions for seats and backs.  
Legget and Platt Matrex System Webbing for long lasting comfort

Foam Specifications:  
Seat Foams 2.4 minimum Density HR rated - 40 ILD (Inner Lineal Deflection)  
Back Foams 1.8 minimum Density HR rated - 34 ILD (Inner Lineal Deflection)  
All Foams meet TB 117  
All Foams and Suspensions designed for long life and comfort

Sewing Specifications:  
Highest Quality Tri-Star 16oz Thread Used  
Top Stitch details with full 1/2" seams (double-sewn)

Fabrics offered: Momentum, Culp, Spradling, and Mayers

